



ATV RANGE



**KING OF
QUADS**



Contents

- 4 Why Choose Suzuki?
- 6 NEW KINGQUAD
ATV TECHNICAL
UPDATES
- 10 KINGQUAD 750
POWER STEERING
- 12 KINGQUAD 500
POWER STEERING
- 14 KINGQUAD 500
- 16 UTILITY
SPECIFICATIONS
- 18 AT YOUR SERVICE
- 19 WAY OF LIFE!

WHY CHOOSE SUZUKI?



THEFT DETERRENT AS STANDARD

The CESAR Security System powered by Datatag is the official security initiative of both the Construction Equipment Association (CEA) and the Agricultural Engineers Association (AEA) and comes FREE on all new Suzuki utility ATVs. This Suzuki Datatag kit will give your ATV a unique 'fingerprint' with an identity that cannot be erased, however hard a criminal may try. This acts as a strong theft deterrent and a tool for recovery should the worst happen, as well as reducing your insurance premiums.



TRY BEFORE YOU BUY

We know that you want an ATV that is comfortable, reliable, and as hard working as you are. Giving you the chance to 'try before you buy',* helps you get a feel for the right model and our expert dealers are on hand to help you find the ATV that is most suitable for you, and your business' needs.



COURTESY ATV SCHEME*

Relying on your ATV as you do, you literally can't afford to be without it, even for a day. So when you bring your machine, whatever make or model, in for service or repairs, we'll give you a courtesy Suzuki ATV to keep you and your business moving.

*Participating dealers only.

NATIONAL NETWORK SUPPORT

However remote you are, you'll find a Suzuki ATV dealership within reach. Our network covers the UK, offering friendly, expert advice, servicing and aftersales to help you get the most from your machine.



FREE RIDER TRAINING

We strongly recommend the free, five-hour certificate course with the European ATV Safety Institute (EASI). Covering pre-ride checks, riding in different conditions, and negotiating obstacles, it'll help keep you, and your ATV, safe and productive long-term. Visit www.quadsafety.org for more details.



PEACE OF MIND TWO-YEAR WARRANTY

All our ATVs come with a full two-year unlimited mileage warranty, which is subject to owner registration and scheduled service records. Certain exclusions for service and wear and tear items may apply, please see Owner's Service Book for details.

For more information, and to find your local Suzuki ATV Dealer, visit ATV.SUZUKI.CO.UK



BUILT TO WORK AS HARD AS YOU DO

All Suzuki ATVs are taken through a thorough testing process, including final visual inspection of the engine and chassis, and full test rides, which include the use of all gears, speedometer and lights, as well as rider tests of the suspension and steering.

Once Suzuki ATVs leave the factory, they are also fully PDI checked and track tested by authorised Suzuki dealers across the UK.

SIMPLE CONTROLS

On rough ground and in foul weather, you've got enough on your mind without worrying what gear you're in. Choose one of our models with continuously variable transmission to take care of this for you.

KEY INFORMATION AT A GLANCE

The big, clear digital LCD display includes a speedometer, odometer, twin trip meters, clock, hour meter, gear indicator, fuel gauge, drive mode readings and new service reminder. Everything you need to know, at a glance.

EASY MANOEUVRING

Optional power steering makes for much easier low-speed manoeuvring. It also helps eliminate bump-steer at higher speeds, giving you a more comfortable, safer and better ride.

VERSATILE TRACTION

We design our ATVs to be easy to use – and it doesn't get much simpler than this. When things get tough, just press the big red button on the handlebar to engage 4-wheel drive, and flick the button to lock the rear diff.

RELIABLE BRAKING

Water and mud are your ATV's natural working environment. Our sealed rear brake unit prevents the brake parts from getting wet or contaminated, giving you consistent and predictable braking, whatever the conditions.

ALL DAY COMFORT

We understand that when you spend hours on your ATV you need it to be comfortable. Our unique T-shaped seat, which we invented years ago and have fitted to our ATVs ever since, provides all-day comfort and freedom of movement you simply won't find anywhere else.

POWERFUL AND ECONOMICAL

Running a business, you've always got one eye (if not both) on your costs. Our efficient fuel injection system, fitted to all KingQuad ATV models, ensures each drop is well used, as well as boosting performance and reliability.

SMOOTH AND QUALITY RIDE

We first introduced fully independent suspension on ATVs way back in 1991. Since then, we've applied the technology on a number of our models, allowing you to go where you want with the greatest comfort.

GRIP IN ALL CONDITIONS

Heavy rain doesn't stop you. With our torque-sensing slip limiting front differential, it won't stop your ATV either. Designed specifically for UK conditions, the system detects wheel spin and automatically transfers power to whichever wheel has the most grip.



BUILT TOUGH FOR EVERY RIDE

KINGQUAD ATV TECHNICAL UPDATES



CHASSIS



Frame rigidity is increased and the rear suspension and final drive case brackets are reinforced.



Updated power steering system enables more comfortable operation with less rider fatigue.



Fully independent suspension system with 5-way spring preload adjustable shock absorbers.



High rigidity stabiliser bar.



Updated front and rear brakes deliver strong and consistent stopping performance.



Trailer hitch mount is changed from plate type to receiver type. Towing capacity increased to 600kg.



For improved ease of maintenance, fuel filter can be accessed by simply removing the seat and harness cover.



Three storage compartments for optimum convenience:

1. Rear, left (4L) *1
2. Rear, center (4L) *2
3. Front (2.8L) *3

*1: Weight limit for rear left storage is 1kg.

*2: Weight limit for rear center storage is 0.5kg.

*3: Weight limit for front storage is 0.5kg.



Suzuki's exclusive T-shaped seat delivers maximum rider maneuverability and a comfortable ride.



Roomy, durable floorboards.



Stylish, lightweight aluminium wheels. Available on LT-A750XPZ, LT-A500XPZ, and as an option on other models.

ENGINE



High output engine tuned for smooth power and torque delivery in all situations. Ideal for agricultural and outdoor sports use, as well as trail riding.



Updated CVT delivers stronger acceleration from standstill with more effective engine braking. On KINGQUAD 750AXi 4x4 / Power Steering only.



Oil jet piston cooling enhances engine durability. On KINGQUAD 750AXi 4x4 / Power Steering only.



Fully compliant with newly enacted California, USA evaporative emission standards.



ELECTRICAL



Handlebar-mounted headlight.



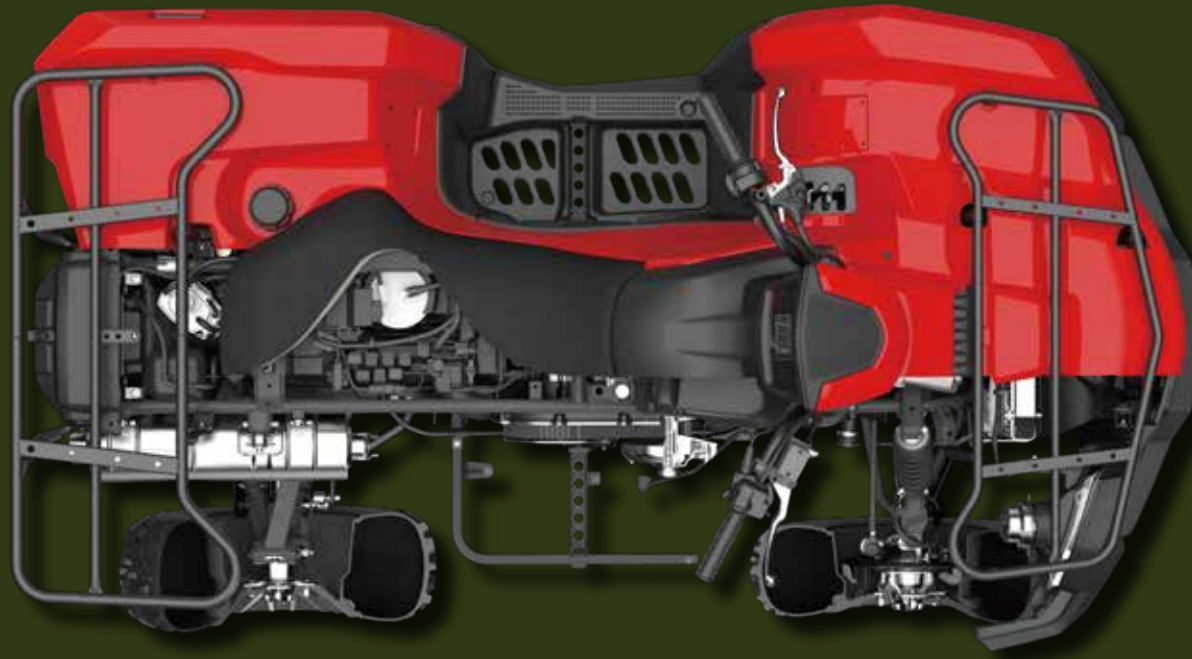
LED taillight.



Multi-function LCD instrument panel with service reminder.



Dual, bright multi-reflector halogen headlights.



KINGQUAD 750 POWER STEERING





Suzuki electric power steering

The new power steering system alignment and settings have been updated to help further reduce rider fatigue, and provide a more settled feeling whilst cornering at all speeds.



Fuel injected 722cc engine

Smooth and useable power for any task, due to the instant throttle response and improved fuel efficiency design, as well as updated CVT and clutch systems to allow smoother pulling away and stronger braking.



Sealed oil-bathed multi-disc rear brake

Experience consistently strong stopping power and reliability from the sealed oil-bathed multi-disc rear brake unit, which prevents, mud, dirt and water from contaminating the brakes.



Fully independent suspension with 5-way preload adjustment

The fully independent suspension, with 5-way adjustable preload settings allow optimum traction whilst maintaining a superior ride quality.

INTRODUCING THE KING OF QUADS

Built tough for every ride

Our most powerful model, the new Suzuki KingQuad 750 achieves a higher level of balance between practical use and leisure riding. With its QuadMatic 4-wheel drive, fully independent suspension, advanced and improved engine breaking system, and increased towing capacity to 600kg, the KingQuad 750 is undaunted by a hard day's work on boggy terrain and steep slopes. The powerful 722cc engine, tuned for smooth power and torque delivery in all situations, makes it ideal for agricultural and sports use, as well as trail riding.

The right ATV for you depends largely on the nature of your land and enterprise. If you're spending long hours in the saddle, routinely riding over very rough country, towing large loads, or using heavy attachments then choose the KingQuad 750 Power Steering. Thanks to its truly remarkable technology and historical Suzuki innovation, you can rely on your KingQuad 750 to put in as many hours as you do – and come back for more tomorrow.

Colours available

Terra green

Mat Rocky Grey

Flame red

True Timber Kanati

“I HAVE BEEN RUNNING SUZUKI QUAD BIKES FOR OVER 10 YEARS WITH FANTASTIC SATISFACTION AND RELIABILITY FOR THE JOB. WITH DAY-TO-DAY GAMEKEEPING DUTIES, ATVS ARE PUT THROUGH THEIR PACES, AS A FULLY LOADED VEHICLE CAN BE DRIVEN OVER A VARIETY OF TERRAIN AND IN ALL WEATHERS. SUZUKI ATVS ARE ALWAYS RELIABLE, EASY TO DRIVE AND COMFORTABLE TO RIDE.”

PAUL CHILDERLEY, GAME KEEPER

KINGQUAD 500 POWER STEERING





TOUGHNESS COMBINED WITH EASY HANDLING

The new KingQuad 500 is an incredibly versatile ATV. With all the improvements of the new KingQuad 750, plus 4-wheel drive, fully independent suspension and an advanced engine braking system, it has true off-road capability. The 493cc fuel-injected engine's cylinder head and piston are specially designed to provide power and torque across the rev range, making the KingQuad equally suitable for towing, use with attachments, or just as a great pair of legs.

On lowland farms, estates and equestrian properties, the standard model offers the ideal balance of features, toughness and easy handling. For the more demanding conditions of hill farms, or if you're regularly in the seat all day, why not try the power steering model, which offers even greater control, precision and fatigue-free riding.



Suzuki electric power steering

The new power steering system alignment and settings have been updated to help further reduce rider fatigue, and provide a more settled feeling whilst cornering at all speeds.



Fuel injected 493cc engine

Great power and torque allows you to tow heavy loads and traverse demanding terrain, whilst the fuel injection supplies power in a controllable manner. An updated CVT and clutch system allows better acceleration when pulling away and stronger braking.



Push button 2WD/4WD selection

Experience the ultimate comfortable ride all day long, even over tough terrain with the fully independent wishbone front and rear suspension, and 5-way adjustable settings.



Fully independent suspension

Whether you need to tread carefully or storm over obstacles, the selectable 2WD/4WD with optional differential lock is at the touch of a button.

Colours available

Terra green

Mat Rocky Grey

Flame red

True Timber Kanati

"WE'VE BEEN USING SUZUKI QUADS FOR OVER 17 YEARS AND I CONSIDER THE LATEST KINGQUADS TO BE AN ESSENTIAL BIT OF KIT, WHICH ENABLE ME TO SAFELY AND COMFORTABLY COVER THE 5,800 ACRES OF ROUGH HILL FARMLAND, WHATEVER THE CONDITIONS." "

JOYCE CAMPBELL, SHEEP FARMER, SCOTTISH HIGHLANDS

KINGQUAD 500





Fuel injected 493cc engine

Great power and torque allows you to tow heavy loads and traverse demanding terrain, whilst the fuel injection supplies power in a controllable manner. An updated CVT and clutch system allows better acceleration when pulling away and stronger braking.



Push button 2WD/4WD selection

Experience the ultimate comfortable ride all day long, even over tough terrain with the fully independent wishbone front and rear suspension, and 5-way adjustable settings.



Fully independent suspension

Whether you need to tread carefully or storm over obstacles, the selectable 2WD/4WD with optional differential lock is at the touch of a button.

TOUGHNESS COMBINED WITH EASY HANDLING

The new KingQuad 500 is an incredibly versatile ATV. With all the improvements of the new KingQuad 750, plus 4-wheel drive, fully independent suspension and an advanced engine braking system, it has true off-road capability. The 493cc fuel-injected engine's cylinder head and piston are specially designed to provide power and torque across the rev range, making the KingQuad equally suitable for towing, use with attachments, or just as a great pair of legs.

On lowland farms, estates and equestrian properties, the standard model offers the ideal balance of features, toughness and easy handling. For the more demanding conditions of hill farms, or if you're regularly in the seat all day, why not try the power steering model, which offers even greater control, precision and fatigue-free riding.

Colours available

Terra green

Flame red

“IN THE 7 YEARS WORKING WITH SUZUKI, MY KINGQUAD HASN'T HAD A DAY OFF! IT'S BRILLIANT FOR DOING JOBS AROUND THE FARM - FROM FEEDING THE HORSES OUT IN THE PADDOCKS TO HARROWING THE ARENA - A SUPER VERSATILE ATV WILL THAT TURN ITS HAND TO ALMOST ANYTHING. I'M VERY PROUD TO BE AN AMBASSADOR.”

WILL FURLONG, EQUESTRIAN OWNER

UTILITY SPECIFICATIONS

SUZUKI
KINGQUAD
4x4 750AXI

Model	KingQuad 750 LT-A750XP	KingQuad 500 LT-A500XP	KingQuad 500 LT-A500X
Engine Type	4-stroke, single cylinder, DOHC, 4 valve	4-stroke, single cylinder, SOHC, 4 valve	4-stroke, single cylinder, SOHC, 4 valve
Displacement cm ³	722	493	493
Bore & Stroke mm	104 x 85	87.5 x 82	87.5 x 82
Compression Ratio	9.9:1	9.9:1	9.9:1
Fuel System	Fuel injection	Fuel injection	Fuel injection
Starter System	Electric	Electric	Electric
Transmission	CVT, 2-speed forward with reverse and front diff-locked 4WD	CVT, 2-speed forward with reverse and front diff-locked 4WD	CVT, 2-speed forward with reverse and front diff-locked 4WD
Drive System	Shaft	Shaft	Shaft
Overall Length mm	2150	2150	2150
Overall Width mm	1215	1215	1215
Overall Height mm	1285	1285	1285
Wheelbase mm	1285	1285	1285
Front Track mm	940	940	940
Rear Track mm	920	920	920
Ground Clearance mm	260	260	260
Seat Height mm	920	920	920
Kerb Mass kg	329	324	315
Front Suspension	Independent, double wishbone, coil spring, oil-damped	Independent, double wishbone, coil spring, oil-damped	Independent, double wishbone, coil spring, oil-damped
Rear Suspension	Independent, double wishbone, coil spring, oil-damped	Independent, double wishbone, coil spring, oil-damped	Independent, double wishbone, coil spring, oil-damped
Front Brakes	Dual discs, hydraulically operated	Dual discs, hydraulically operated	Dual discs, hydraulically operated
Rear Brakes	Sealed oil-bathed multi-disc	Sealed oil-bathed multi-disc	Sealed oil-bathed multi-disc
Front Tyres	AT25 x 8-12, tubeless	AT25 x 8-12, tubeless	AT25 x 8-12, tubeless
Rear Tyres	AT25 x 10-12, tubeless	AT25 x 10-12, tubeless	AT25 x 10-12, tubeless
Ignition Type	Electronic Ignition (CDI)	Electronic Ignition (CDI)	Electronic Ignition (CDI)
Fuel Tank Capacity litres	17.5	17.5	17.5
Body Colour	Flame red/Terra green Mat rocky grey/True timber kanati	Flame red/Terra green Mat rocky grey/True timber kanati	Flame red/Terra green
Free Datatag Security	✓	✓	✓
Front Rack Capacity kg	30	30	30
Rear Rack Capacity kg	60	60	60
Hitch Capacity kg	600	600	600

Dimensions may differ on 'Z' models



**SUZUKI
PARTS AND
SERVICE**
PRECISELY
WHAT YOU NEED



AT YOUR SERVICE

Ensure smooth performance by regularly servicing your ATV at an Authorised Suzuki Dealership. We only use Suzuki Genuine Parts, designed with the quality, performance and reliability of your machine in mind. Plus we'll keep you on the move with our Suzuki Courtesy ATV Scheme.

HERE ARE SOME KEY REASONS TO KEEP YOUR ATV SERVICED REGULARLY

SPARK PLUGS

Spark plug deterioration can affect the starting and performance of the engine which can increase the emissions, especially when making short journeys.



AIR CLEANER ELEMENT

A clogged or dirty air filter can reduce air intake, which will result in an increase in fuel consumption and can cause engine wear.



ENGINE OIL AND OIL FILTER

Regular engine oil changes keep your engine clean, reduces wear and prevents internal corrosion.

BRAKES

Worn brake pads will affect the ATV's brake efficiency and could also cause damage to the discs.

FUEL FILTER

If you have a partially blocked fuel filter, pump or injector your ATV will struggle to perform correctly. However, using the ATV in this condition will damage the fuel pump rendering it irreparable and will need replacing.



 **SUZUKI**
GENUINE PARTS

WAY OF LIFE!

THE ADVENTURE STARTS WITH SUZUKI

When you ride a Suzuki, you're joining people around the world that own Suzuki products. Whether you're going to the lake or to the sea, across the mountains or through the town, your adventures always start with a Suzuki. Suzuki's full line of products share some common traits: reliability and durability without sacrificing performance.



OUTBOARD MOTORS

Suzuki has a complete range of four stroke outboards, from the tiny DF2.5, weighing only 13.5kg, to the award-winning V6 DF350AP. Suzuki outboards out-perform the rest and really are the ultimate four stroke outboards.

Visit your nearest Suzuki Dealer or visit www.suzuki.co.uk for full details and brochures about Suzuki cars, outboards and motorcycles.



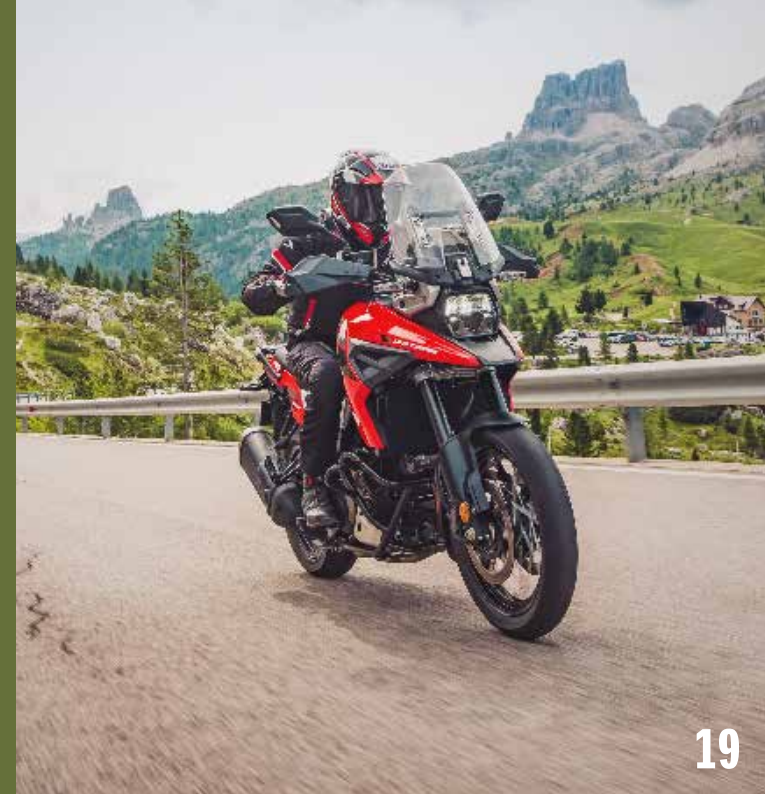
MOTORCYCLES

Suzuki offers the finest range of motorcycles, scooters and off-road bikes, from learner-friendly scooters through to track ready sports bikes. Suzuki has long been a leader in both motocross and road racing and this experience is reflected in the design of every Suzuki motorcycle. Visit your nearest motorcycle dealer and get your hands on a new Suzuki.

AUTOMOBILES

From our outstanding SUVs like the all new Vitara and S-Cross, to stylish compact cars such as the Swift and Celerio, Suzuki offers a wide range of vehicles to suit your lifestyle.

Suzuki is known worldwide for its quality, durability and value – traits that accomplish production of more than three million SUVs and cars per year.





TRY BEFORE YOU BUY

We know that you want an ATV that is comfortable, reliable, and as hard working as you are. Giving you the chance to 'try before you buy',* helps you get a feel for the right model and our expert dealers are on hand to help you find the right ATV that is most suitable for you, and your business' needs.

*Participating dealers only.

THE SMALL PRINT – ATV SAFETY

An ATV is not a toy. An ATV handles differently from all other vehicles. A collision or rollover can occur quickly, even during routine manoeuvres such as turning and driving on hills and over obstacles, if you fail to take proper precautions.

Always read the Owner's Manual carefully and follow the operating procedures described. Pay special attention to the warnings contained in the manual and all the labels on the machine.

The manufacturer advises that no one under the age of 16 years should operate an adult ATV and you should be aware of the requirements of the Agriculture (Accidents to Children) Regulations 1958.

Never carry a passenger on an ATV. Carrying a passenger may upset the balance of the ATV and may cause loss of control.

Never operate an ATV on a public road unless it meets the legal requirements for such use and in any case at not more than 20mph on any public road.

To reduce the risk of an accident, always be aware that an ATV is designed to run off-road using low-pressure tyres, which are not suitable for use on paved or hard surfaces. Failure to do so may result in

a loss of control or being unable to avoid other vehicles, so causing an accident.

Never operate an ATV without an approved motorcycle helmet, eye protection, boots, gloves, long trousers and a long sleeved shirt or jacket.

Never consume alcohol or drugs before or while operating an ATV.

Never operate an ATV at excessive speeds, or attempt to do 'wheelies', jumps or other stunts, unless on a closed circuit or under race conditions. Go at a speed which is proper for the terrain, visibility, conditions and your experience.

Never ride the ATV beyond your level of skill.

Always be careful when operating an ATV, especially when approaching a hill, turns or obstacles or on unfamiliar and rough terrain.

When assessing whether you should fit a rollover protection structure (ROPS) to your ATV in order to comply with your responsibilities under the "Provision and Use of Work Equipment Regulations" (PUWER), you should know that research conducted by the ATV industry indicates a greater overall risk to safety with the

fitment of a ROPS than without it. ATV safety can be optimised by reading the Owner's Manual, obtaining appropriate training, and wearing a helmet and other suitable safety gear.

Junior ATVs are designed and built specifically for this purpose. Safety is equally important and all relevant utility safety rules apply. Any rider must be trained and have the skill and competence to handle the machine safely.

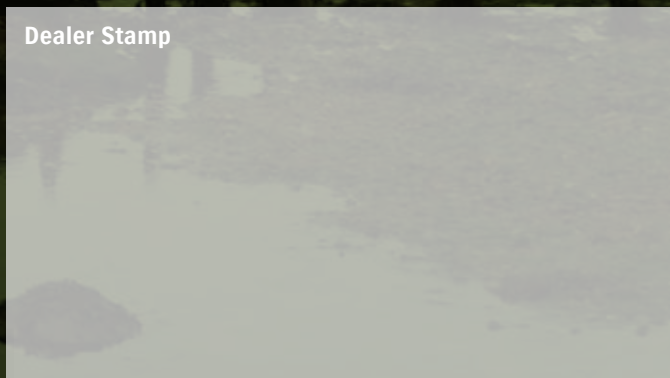
Rider skill and safety can be improved through training. Consult your Suzuki ATV dealer for further information on training courses available in your area. Suzuki recommends EASI training. EASI training is included with every Suzuki ATV purchased from 1st January 2007.

Along with concerned people everywhere, we urge you to show respect for your environment, and the law when using your ATV.

Specifications may change without notice. Illustrated equipment and colours may vary without notice. Some models shown may not be to UK specification. Please check details with your dealer before confirming your order. E&OE

Suzuki GB PLC
Steinbeck Crescent
Snelshall West
Milton Keynes
Bucks
MK4 4AE
0845 850 8800

atv.suzuki.co.uk



Information correct at time of print January 2021