



BROWNS

EST: 1830

Agricultural Machinery Co. Ltd

Manufacturers of Farm Implements & Machinery

MEGASCRAPE

YARD SCRAPER

Owners Illustrated Instruction Book & Parts List

Grovebury Road, Leighton Buzzard, Bedfordshire. LU7 4UX. UK.

Tel:01525 375157. Fax:01525 385222.

Email:info@brownsagricultural.co.uk

INTRODUCTION

Please read this booklet carefully and understand the safety warnings before operating the machine. It has been written to help you benefit from the full versatility of your Brown's machine. The machine has been designed to give many years of satisfactory service and will do so if properly fitted, used and maintained.

SAFETY WARNINGS

1. Never allow anyone to work underneath the raised machine.
2. Never allow anyone to stand near or behind the machine when in operation.
3. Always ensure that the engine is switched off before any maintenance work is carried out.
4. Ensure that the tractor is of a sufficient size to provide adequate stability when in operation.
5. Always replace broken or damaged parts immediately.
6. Never allow anyone to ride on the machine.
7. Always ensure operators are fully trained before operating machinery, ensure all Operator Manuals are readily available.
8. Do not operate a machine with slipping or damaged belts.
9. Follow the maintenance instructions.

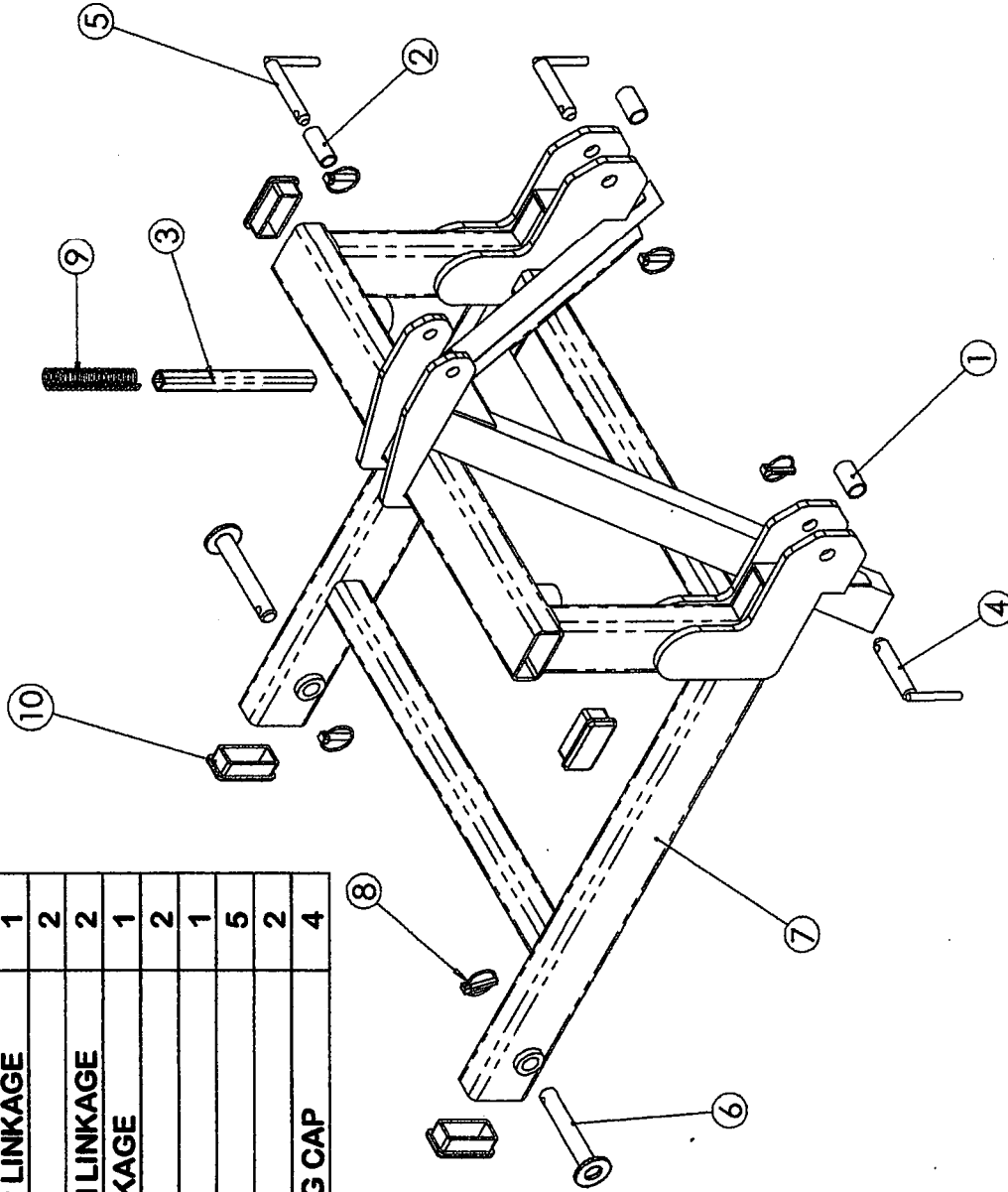
OPERATION

The MEGASCRAPE yard scraper comes complete with a three point linkage and a built in A Frame for attachment to the tractor three point linkage. The three point linkage pins are to fit a standard Category 1 hitch, bushes are supplied to convert to Category 2. Connect the MEGASCRAPE using this hitch system and ensure the machine is parallel to the ground.

In operation lower the MEGASCRAPE onto the ground so the scraping rubbers are in contact with the ground then either reverse or drive forward to collect the slurry. The MEGASCRAPE has a floating action with its main pivot in the middle to follow ground contours, the sides pivot round the middle and the front and rear gates can side up or down. The bottom frame is pressed down under the force of the front springs.

The maintenance required by the machine is to periodically check nuts and bolts are tight. Do not tighten the main pivot nut excessively as this will effect the sides pivoting. Also check the rubber is not excessively worn and replace as necessary.

No.	Part No.	Description	Qty.
1	13772	SLEEVE CAT 1 BOTTOM LINKAGE	2
2	13784	SLEEVE CAT 1 TOP LINKAGE	1
3	16507	SPRING SUPPORT	2
4	71857	PIN CAT 1 BOTTOM LINKAGE	2
5	71856	PIN CAT 1 TOP LINKAGE	1
6	52584	PIN UNIVERSAL	2
7	53037	TOP FRAME	1
8	70033	LINCH PIN	5
9	71696	SPRING	2
10	71698	PLASTIC BLANKING CAP	4



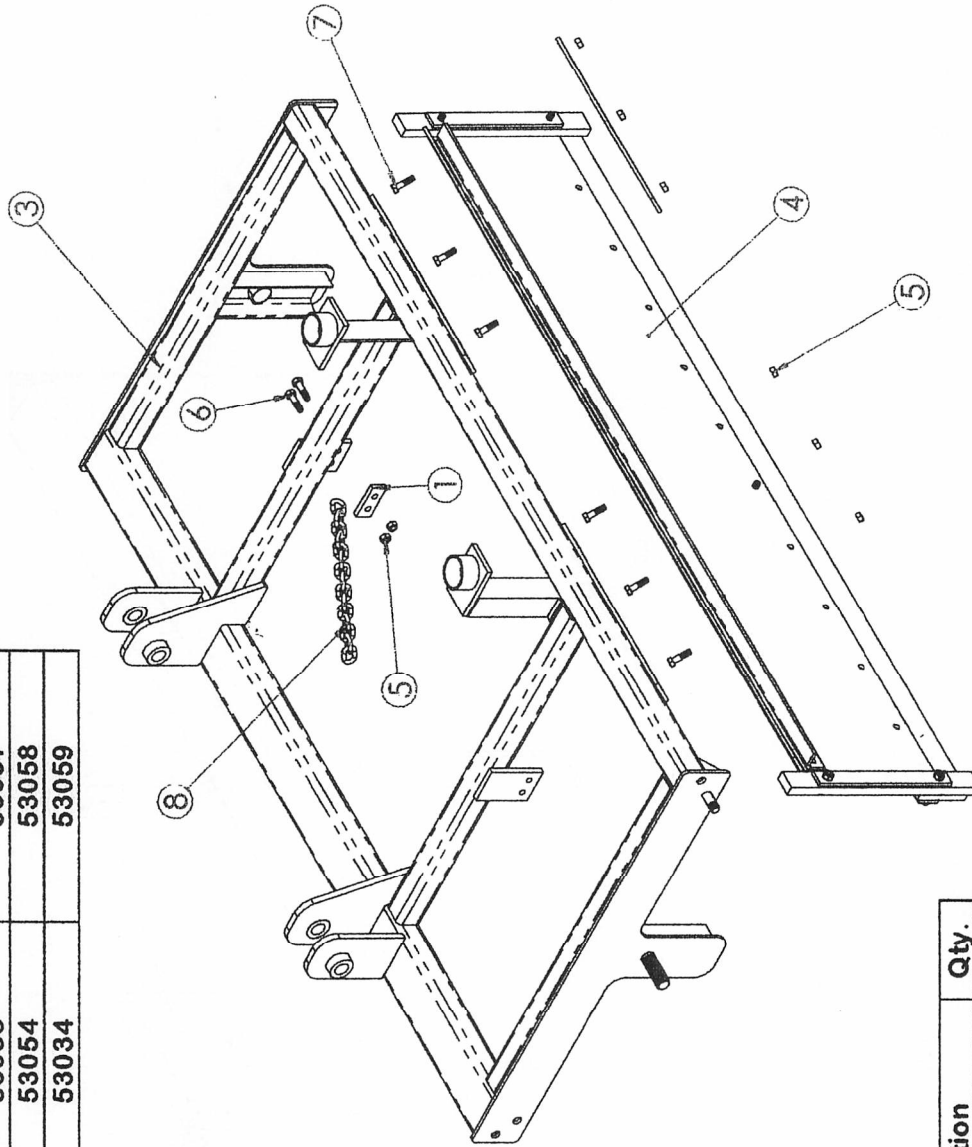
TOL.		±0.5mm	MATERIAL	MEGASCAPE PARTS BOOK	
SCALE	1:10	TITLE	TOP FRAME		
ISSUE	1				
DATE	26/10/00				
DRAWN	D.Hanson				



Browns Agricultural Machinery Company Limited
 Mentmore Road - Linslade - Leighton Buzzard
 Beds. LU7 7NX. Tel:- (01525) 375157

Part No.
ALL MODELS

MODEL	MACHINE WIDTH	(3) MIDDLE FRAME	(4) MAIN GATE
66150	1676mm (5'6")	53052	53056
66155	1828mm (6'0")	53053	53057
66160	1981mm (6'6")	53054	53058
66165	2133mm (7'0")	53034	53059



No.	Part No.	Description	Qty.
1	16480	CHAIN RETAINER	2
2	16506	HINGE SUPPORT PLATE	4
3	SEE	MIDDLE FRAME	1
4	TABLE	MAIN GATE	2
5	70011	NYLOCK NUT M10	24
6	70062	BOLT M10 x 40	12
7	70911	BOLT M10 x 35	12
8	71709	CHAIN	4

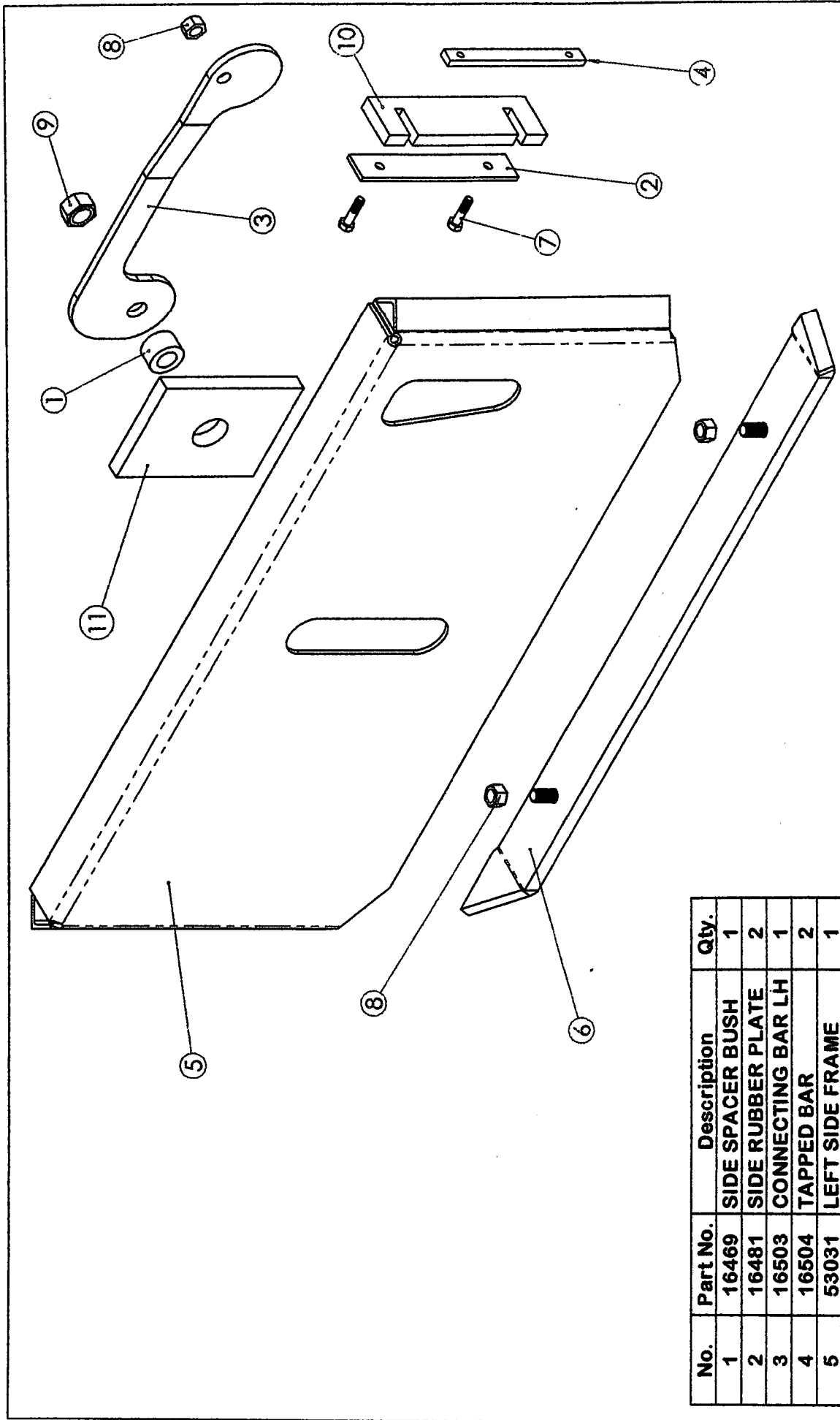
TOL.	MATERIAL	MEGASCRAPE PARTS BOOK
+0.5mm		
SCALE	TITLE	
1:12	MIDDLE FRAME	
ISSUE	1	
DATE	30/10/00	
DRAWN	D.Hanson	



Browns Agricultural Machinery Company Limited
 Mentmore Road - Linslade - Leighton Buzzard
 Beds. LU7 7NX. Tel:- (01525) 375157

Part No.

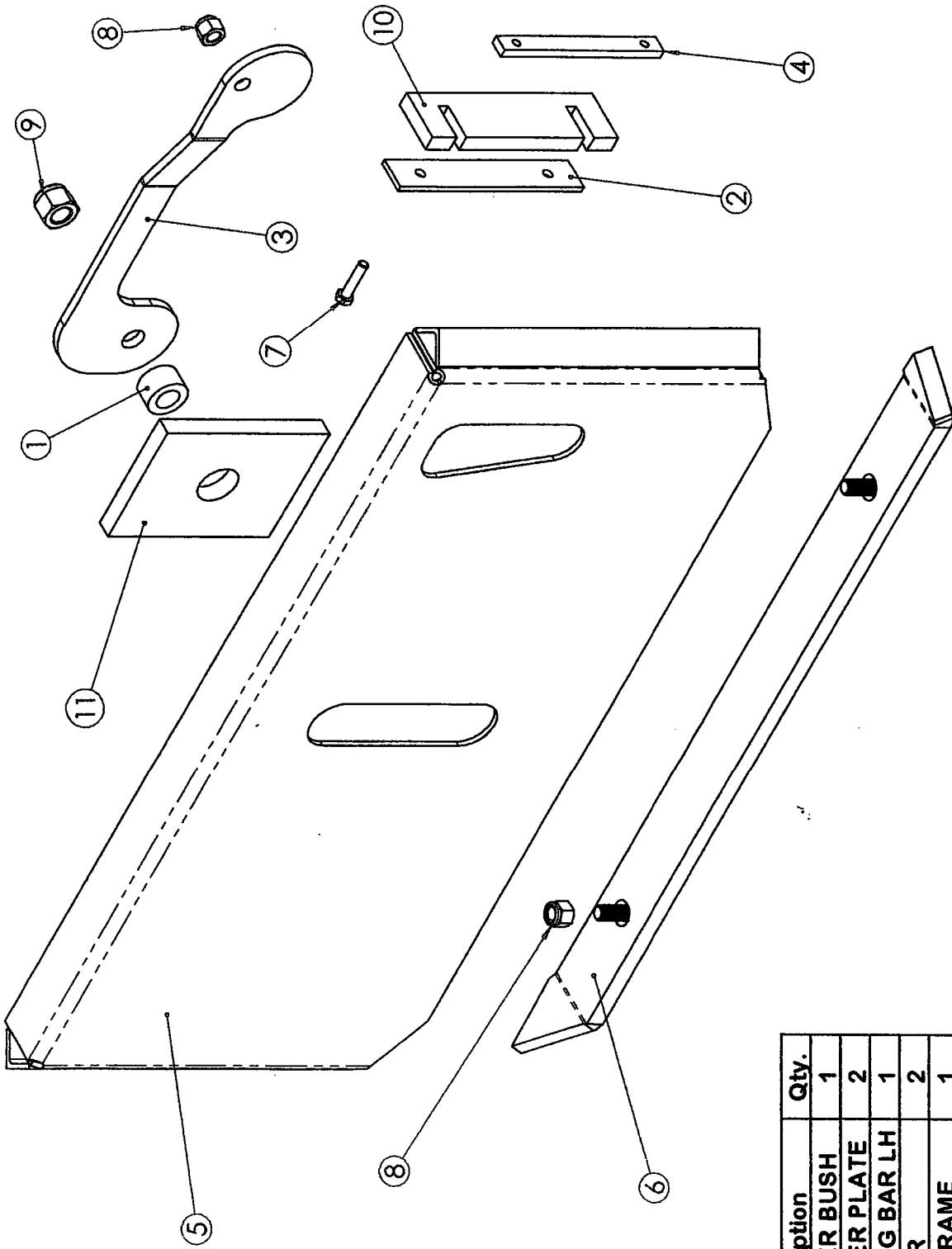
ALL MODELS



No.	Part No.	Description	Qty.
1	16469	SIDE SPACER BUSH	1
2	16481	SIDE RUBBER PLATE	2
3	16503	CONNECTING BAR LH	1
4	16504	TAPPED BAR	2
5	53031	LEFT SIDE FRAME	1
6	53033	SKID	1
7	70062	BOLT M10 x 40	4
8	70342	NYLOCK NUT M16	3
9	71558	NYLOCK NUT M24	1
10	71700	SCRAPER MAIN SIDE	2
11	71710	SIDE SLIDE	1

TOL.	±0.5mm	MATERIAL	MEGASCAPE PARTS BOOK
SCALE	1:6	TITLE	SIDE FRAME RIGHT HAND
ISSUE	1	Part No.	
DATE	30/10/00	ALL MODELS	
DRAWN	D.Hanson	Browns Agricultural Machinery Company Limited Merrimore Road - Linslade - Leighton Buzzard Beds. LU7 7NX. Tel:- (01525) 375157	





No.	Part No.	Description	Qty.
1	16469	SIDE SPACER BUSH	1
2	16481	SIDE RUBBER PLATE	2
3	16503	CONNECTING BAR LH	1
4	16504	TAPPED BAR	2
5	53031	LEFT SIDE FRAME	1
6	53033	SKID	1
7	70062	BOLT M10 x 40	4
8	70342	NYLOCK NUT M16	3
9	71558	NYLOCK NUT M24	1
10	71700	SCRAPER MAIN SIDE	2
11	71710	SIDE SLIDE	1

TOL. ±0.5mm MATERIAL MEGASCRAPER PARTS BOOK

SIDE FRAME LEFT HAND

SCALE 1:6
 ISSUE 1
 DATE 30/10/00
 DRAWN D.Hanson

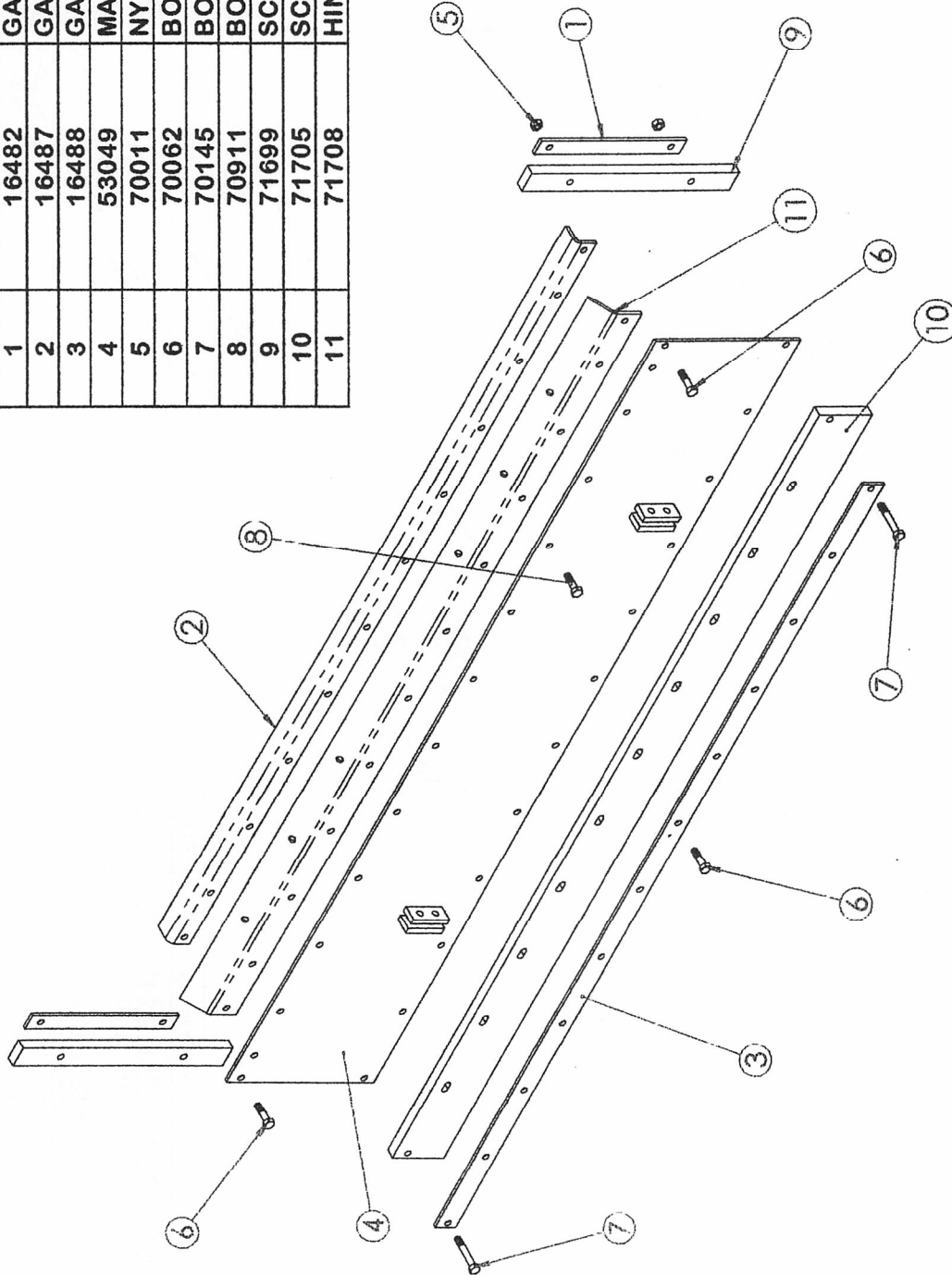


Browns Agricultural Machinery Company Limited
 Mentmore Road - Leighton Buzzard
 Beds. LU7 7NX. Tel: (01525) 375157

Part No.

ALL MODELS

No.	Part No.	Description	Qty.
	53056	GATE COMPLETE 5'6"	2
1	16482	GATE SIDE PLATE	2
2	16487	GATE HINGE ANGLE	1
3	16488	GATE STRIP PLATE	1
4	53049	MAIN GATE 5.6	1
5	70011	NYLOCK NUT M10	26
6	70062	BOLT M10 x 40	12
7	70145	BOLT M10 x 65	2
8	70911	BOLT M10 x 35	12
9	71699	SCRAPER GATE SIDE	2
10	71705	SCRAPER BLADE 5.6	1
11	71708	HINGE RUBBER 5.6	1



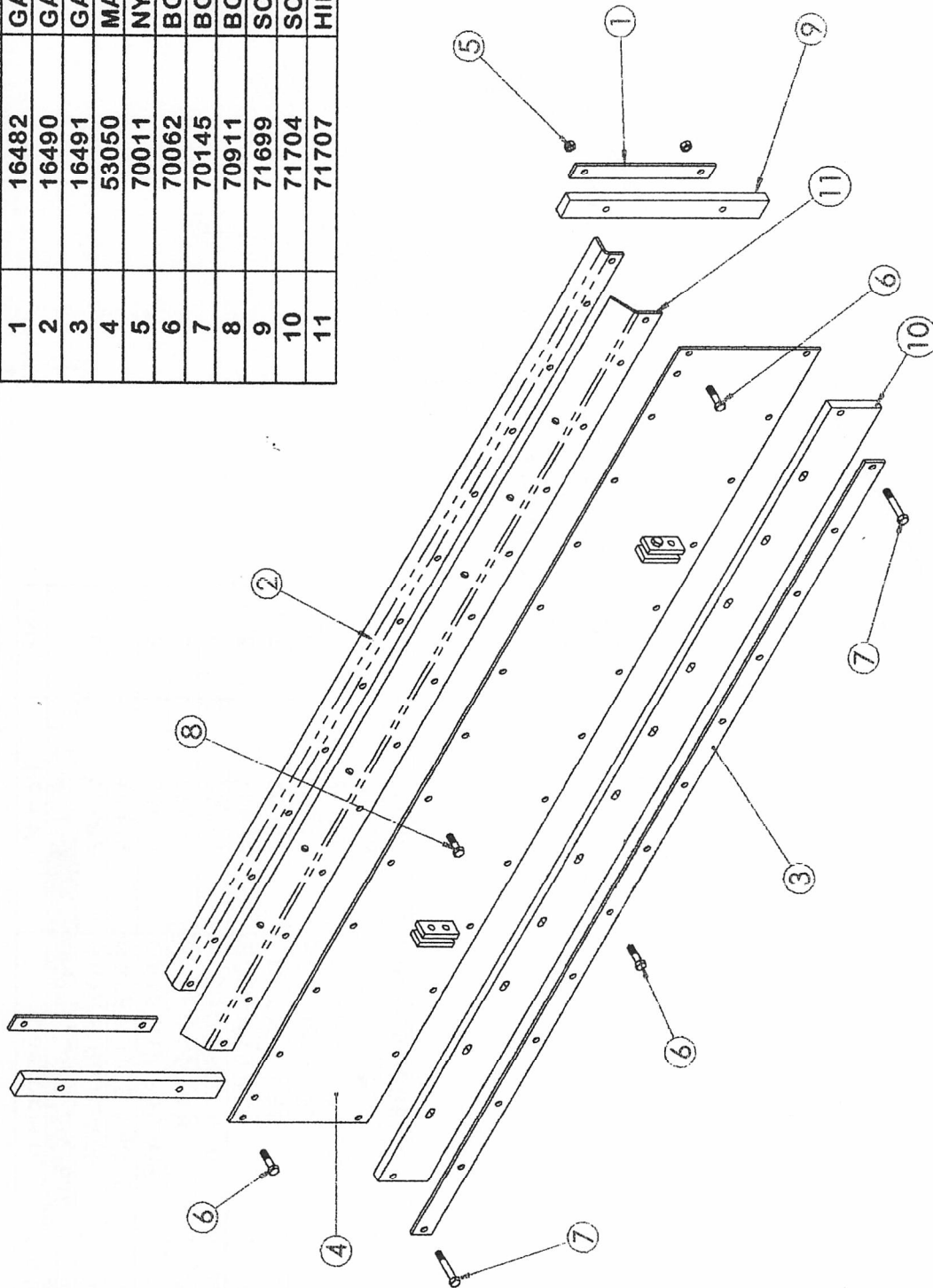
TOL.		±0.5mm	MATERIAL	MEGASCRAPER PARTS BOOK
SCALE	1:10		TITLE	GATE COMPLETE 5'6"
ISSUE	1			
DATE	30/10/00			
DRAWN	D.Hanson			



Browns Agricultural Machinery Company Limited
 Mentmore Road - Leinslade - Leighton Buzzard
 Beds. LU7 7NX. Tel: (01525) 375157

Part No. **53056**

No.	Part No.	Description	Qty.
	53057	GATE COMPLETE 6.0	2
1	16482	GATE SIDE PLATE	2
2	16490	GATE HINGE ANGLE	1
3	16491	GATE STRIP PLATE	1
4	53050	MAIN GATE 6.0	1
5	70011	NYLOCK NUT M10	28
6	70062	BOLT M10 x 40	13
7	70145	BOLT M10 x 65	2
8	70911	BOLT M10 x 35	13
9	71699	SCRAPER GATE SIDE	2
10	71704	SCRAPER BLADE 6.0	1
11	71707	HINGE RUBBER 6.0	1

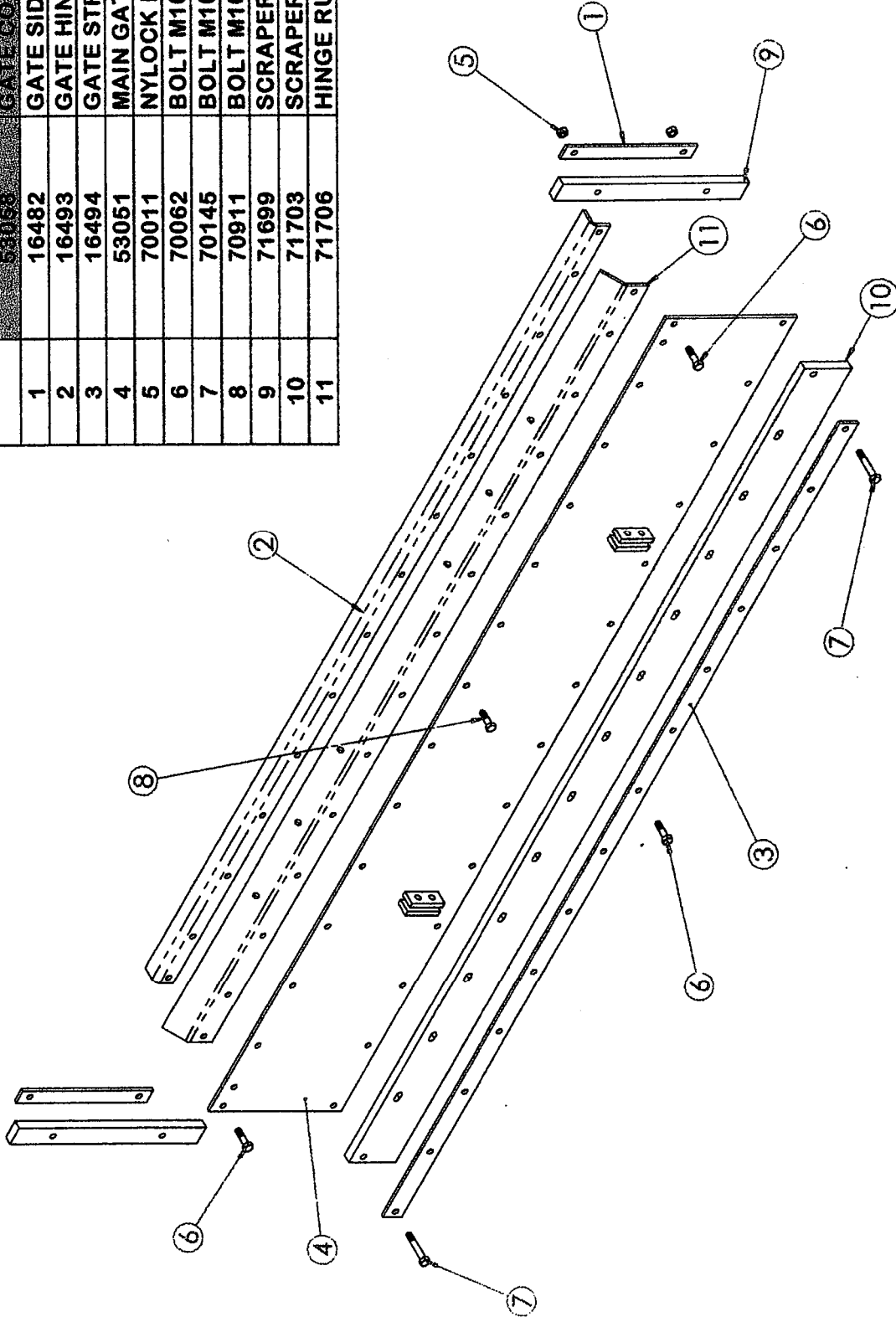


TOL.	±0.5mm	MATERIAL	MEGASCRAPER PARTS BOOK
SCALE	1:10	TITLE	GATE COMPLETE 6'0"
ISSUE	1		
DATE	30/10/00		
DRAWN	D.Hanson		
			Part No. 53057



Browns Agricultural Machinery Company Limited
 Mentmore Road - Leighton Buzzard
 Beds. LU7 7NX. Tel: (01525) 375157

No.	Part No.	Description	Qty.
	53058	GATE COMPLETE 6'6"	2
1	16482	GATE SIDE PLATE	2
2	16493	GATE HINGE ANGLE	1
3	16494	GATE STRIP PLATE	1
4	53051	MAIN GATE 6.6	1
5	70011	NYLOCK NUT M10	30
6	70062	BOLT M10 x 40	14
7	70145	BOLT M10 x 65	2
8	70911	BOLT M10 x 35	14
9	71699	SCRAPER GATE SIDE	2
10	71703	SCRAPER BLADE 6.6	1
11	71706	HINGE RUBBER 6.6	1



MEGASCRAPER PARTS BOOK

GATE COMPLETE 6'6"

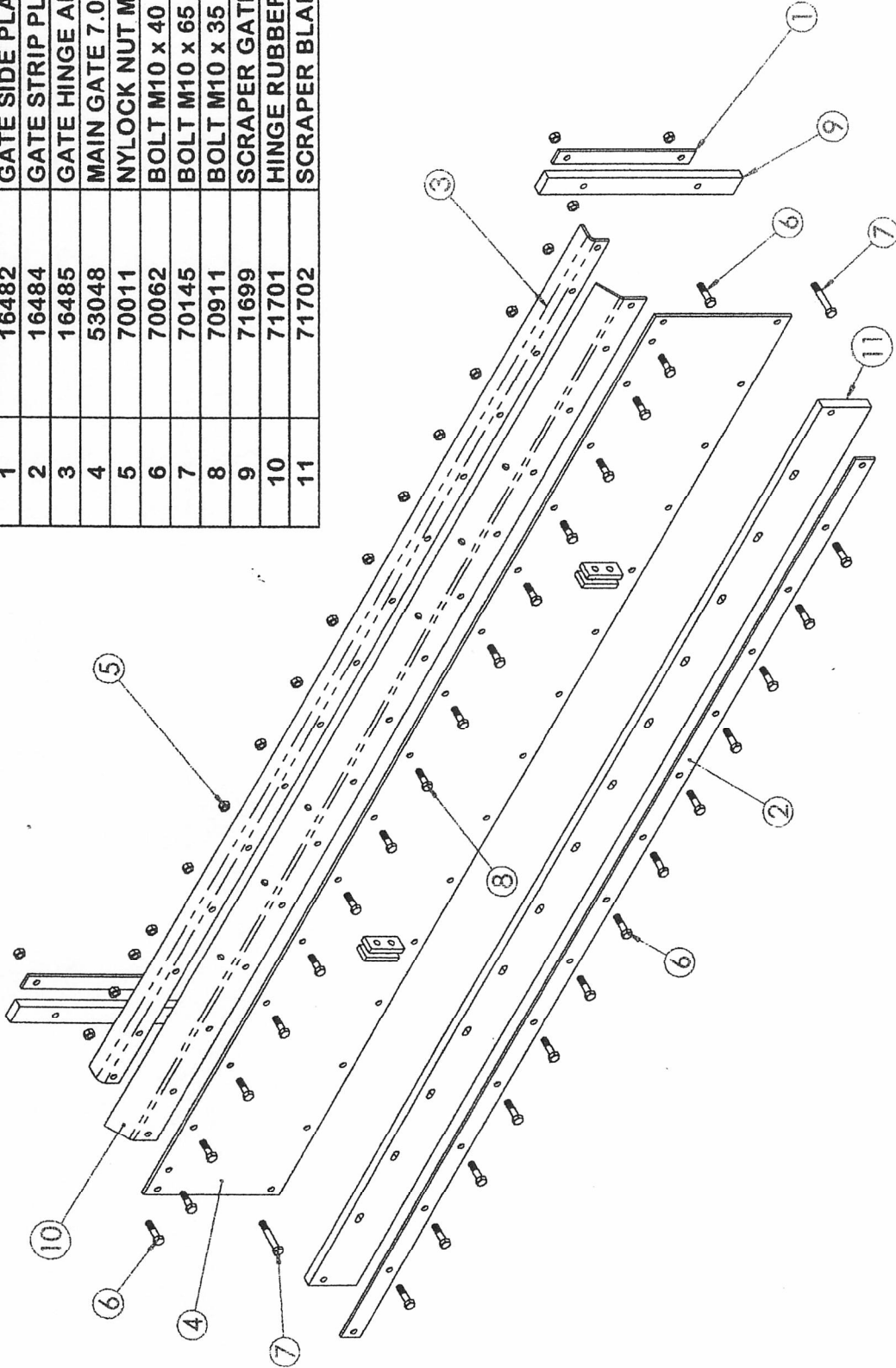
TOL.	±0.5mm	MATERIAL	
SCALE	1:10	TITLE	
ISSUE	1		
DATE	30/10/00		
DRAWN	D.Hanson		



Browns Agricultural Machinery Company Limited
 Mentmore Road - Linslade - Leighton Buzzard
 Beds. LU7 7NX. Tel: (01525) 375157

Part No. **53058**

No.	Part No.	Description	Qty.
	53059	GATE COMPLETE 7.0	2
1	16482	GATE SIDE PLATE	2
2	16484	GATE STRIP PLATE	1
3	16485	GATE HINGE ANGLE	1
4	53048	MAIN GATE 7.0	1
5	70011	NYLOCK NUT M10	32
6	70062	BOLT M10 x 40	15
7	70145	BOLT M10 x 65	2
8	70911	BOLT M10 x 35	15
9	71699	SCRAPER GATE SIDE	2
10	71701	HINGE RUBBER 7.0	1
11	71702	SCRAPER BLADE 7.0	1



TOL.	MATERIAL	MEGASCRAPER PARTS BOOK
±0.5mm		
SCALE	1:10	GATE COMPLETE 7.0"
ISSUE	1	
DATE	30/10/00	
DRAWN	D.Hanson	



Browns Agricultural Machinery Company Limited
 Mentmore Road - Leighton Buzzard
 Beds. LU7 7NX. Tel: (01525) 375157

Part No.

53059



EC DECLARATION OF CONFORMITY

Manufacturer : Browns Agricultural Machinery Co. Ltd.
Description of Machinery : MEGASCRAPE Muck Scraper (6'6")
Model Number : 66160

This machine complies with EC Directives, Transposed Harmonised Standards, National Standards and Technical Specifications as follows:

89/392/EEC 91/386/EEC 93/44/EEC 93/68/EEC EN 292 pr EN 691

The machinery has been designed taking into account the essential Health & Safety Standards as detailed in the Supply of Machinery (Safety Regulations) 1992.

For and on behalf of the Manufacturer

Name : J. W. G. BROWN
Status : MANAGING DIRECTOR

The above machinery taking into account the state of art, complies with or is designed and constructed so far as possible, to comply with the relevant Health & Safety requirements as indicated in the Technical file.

THE COMPANY IS CONTINUALLY STRIVING TO IMPROVE ITS PRODUCTS AND RESERVES THE RIGHT TO MAKE IMPROVEMENTS OR CHANGES WITHOUT INCURRING ANY OBLIGATION TO ALTER ANY OF ITS MACHINES PREVIOUSLY SOLD.