



# BROWNS

EST: 1830

Agricultural Machinery Co. Ltd

Manufacturers of Farm Implements & Machinery

# ***SWING ROUND***

## POST HAMMER

Owners Illustrated Instruction Book & Parts List

Grovebury Road, Leighton Buzzard, Bedfordshire. LU7 4UX. UK.  
Tel:01525 375157. Fax:01525 385222.  
Email:[info@brownsagricultural.co.uk](mailto:info@brownsagricultural.co.uk)

## INTRODUCTION

Please read the booklet carefully and understand the safety warnings before operating the machine. It has been written to help you benefit from the full versatility and potential of your Brown's machine. The machine has been designed to give many years of satisfactory service and will do so if properly fitted, used and maintained.

## SAFETY WARNINGS

1. Ensure that the Warning labels are clear on the machine.
2. Always keep clear of moving parts.
3. Always ensure tractor is large enough to suit the machine operated.
4. Never walk under raised machine.
5. Never ride on the machine.
6. Always use the post holder provided.
7. Never hold a post under the machine by hand.
8. Never operate if the tractor is on sloping ground.
9. Always lower the the ground when not in use.
10. Never travel with the hammer locked to the side.
11. Take great care when turning especially on public roads.

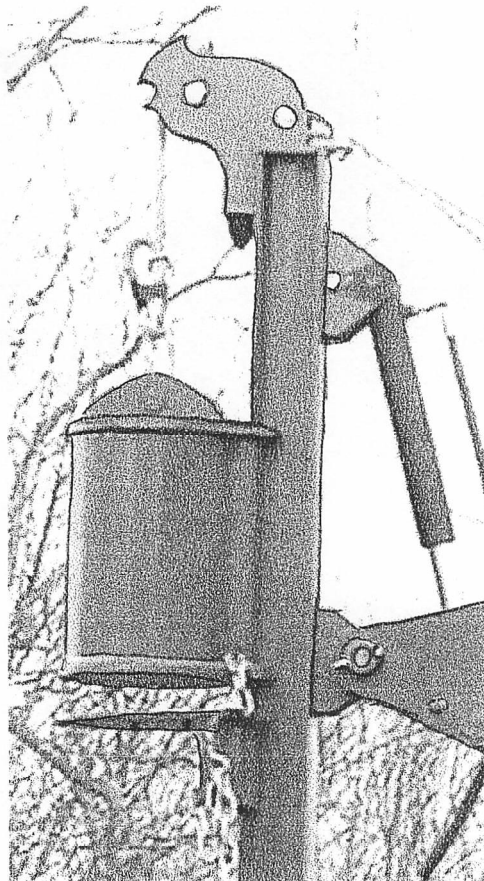
## DESCRIPTION

The Brown's Swing Round posthammer has been designed to drive posts into the ground using a large hammer weight being driven by a single acting hydraulic ram via a rope and pulley mechanism.

## OPERATION

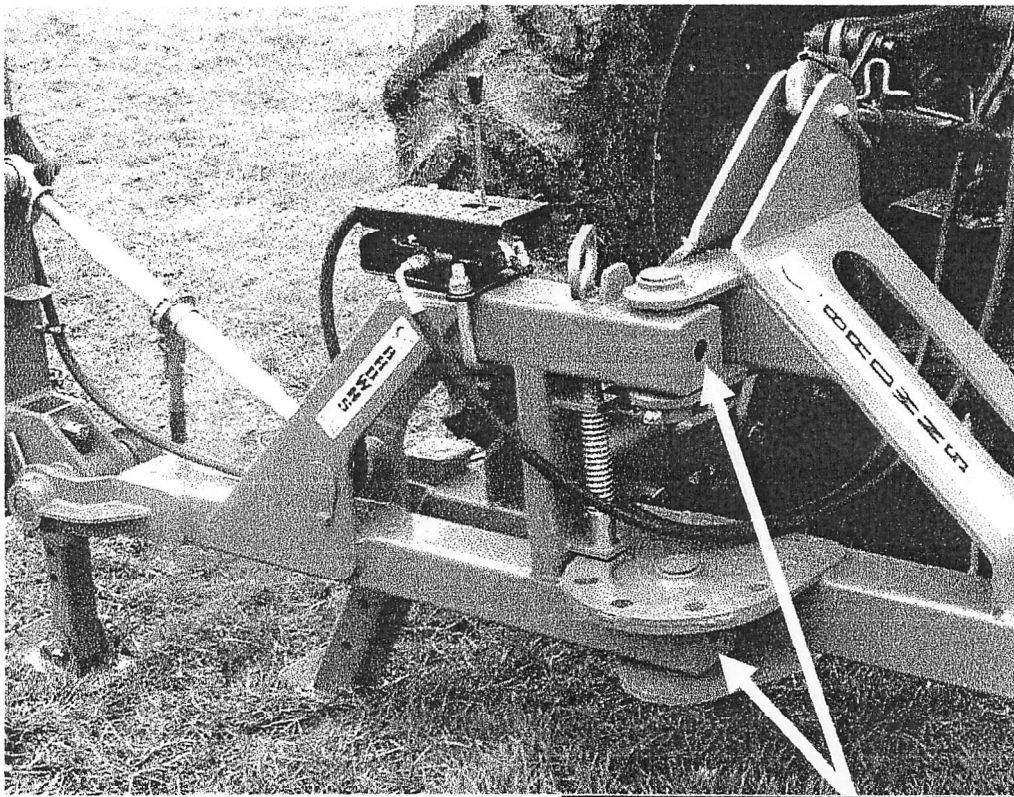
Ensure the tractor is of sufficient size to transport and operate the post hammer safely. Reverse the tractor up to the post hammer Cat 2 three point linkage and connect the lower linkage then the top linkage. Tighten the lower linkage check chains to prevent any side movement. Connect the pressure and free flow return hydraulic hoses.

Position the post hammer by the fence line where the post is required to be driven, apply the handbrake and put the tractor in neutral. Put the tractor auxiliary hydraulic supply into constant pump so oil is supplied to the post hammer valve. Connect the post cap to the hammer with the short chain links and raise the hammer ( and post cap ) to a height that will just clear the post. Place the post under the hammer and very slowly lower the hammer onto the top of the post. Disconnect the post cap from the hammer and wrap the post holding chain round the post and into its fixing slots on the post cap. Adjust the mast if necessary to ensure it is driven straight. Stand well clear of the hammer and post and operate the lever up and down to drive the post to the required depth.



## OPERATION OF SWING ROUND

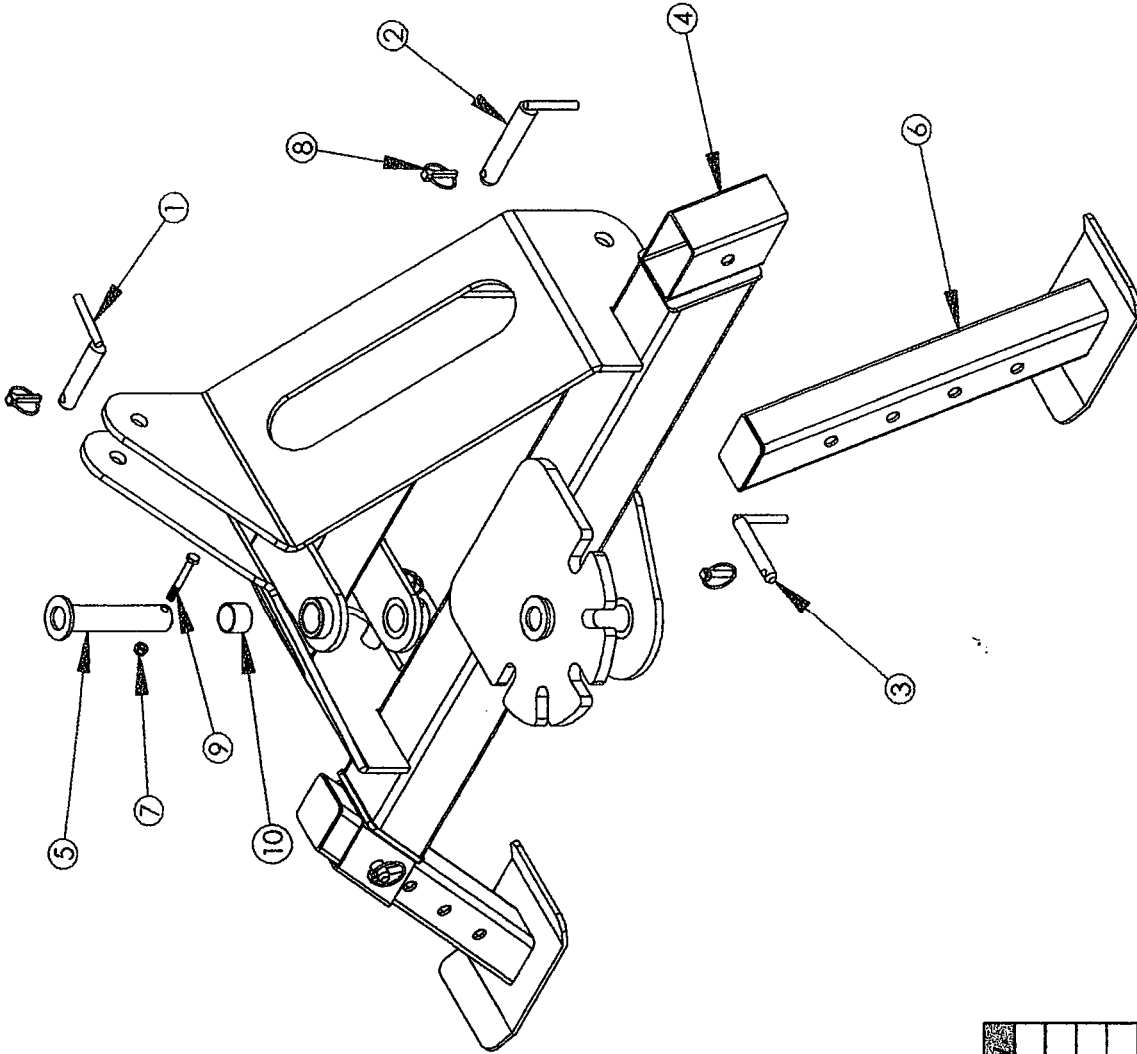
To operate the swing round first ensure the machine is parked on level ground. Raise the machine on the tractor three point linkage 200mm above the ground and turn the engine off, apply the handbrake. Lift the main swing pin and turn until the handle rests on the stop, move the swing arm a fraction then release the pin off the stop. Go to the hammer end of the swing arm and push the arm round to the next position it drops into.



TWO GREASE POINTS ON SWING FRAME. THREE ON THE MAST PENDULUM PIVOT PIN AND RAM.

## MAINTENANCE

Lubricate the main mast every four hours with a greased brush. Grease all pivot points every eight hours. Check the rope for wear or damage and replace if necessary. Check all nuts and hydraulic fitting are tight regularly .



No	Part No.	Description	Qty
1	50075	CAT 2 TOP PIN	1
2	50102	CAT 2 BTM PIN	2
3	51684	CAT 1 TOP PIN	2
4	53300	MAIN FRAME	1
5	53301	SWING PIVOT PIN	2
6	53310	MAIN LEG	2
7	70011	M10 NYLOCK NUT	2
8	70033	LINCH PIN	5
9	70815	M10x80 BOLT	2
10	71873	MB4030 BUSH	2

TOL.	±0.5mm	MATERIAL
SCALE	1:1	TITLE
ISSUE	1	
DATE	5/13/2004	
DRAWN	D.Hanson	

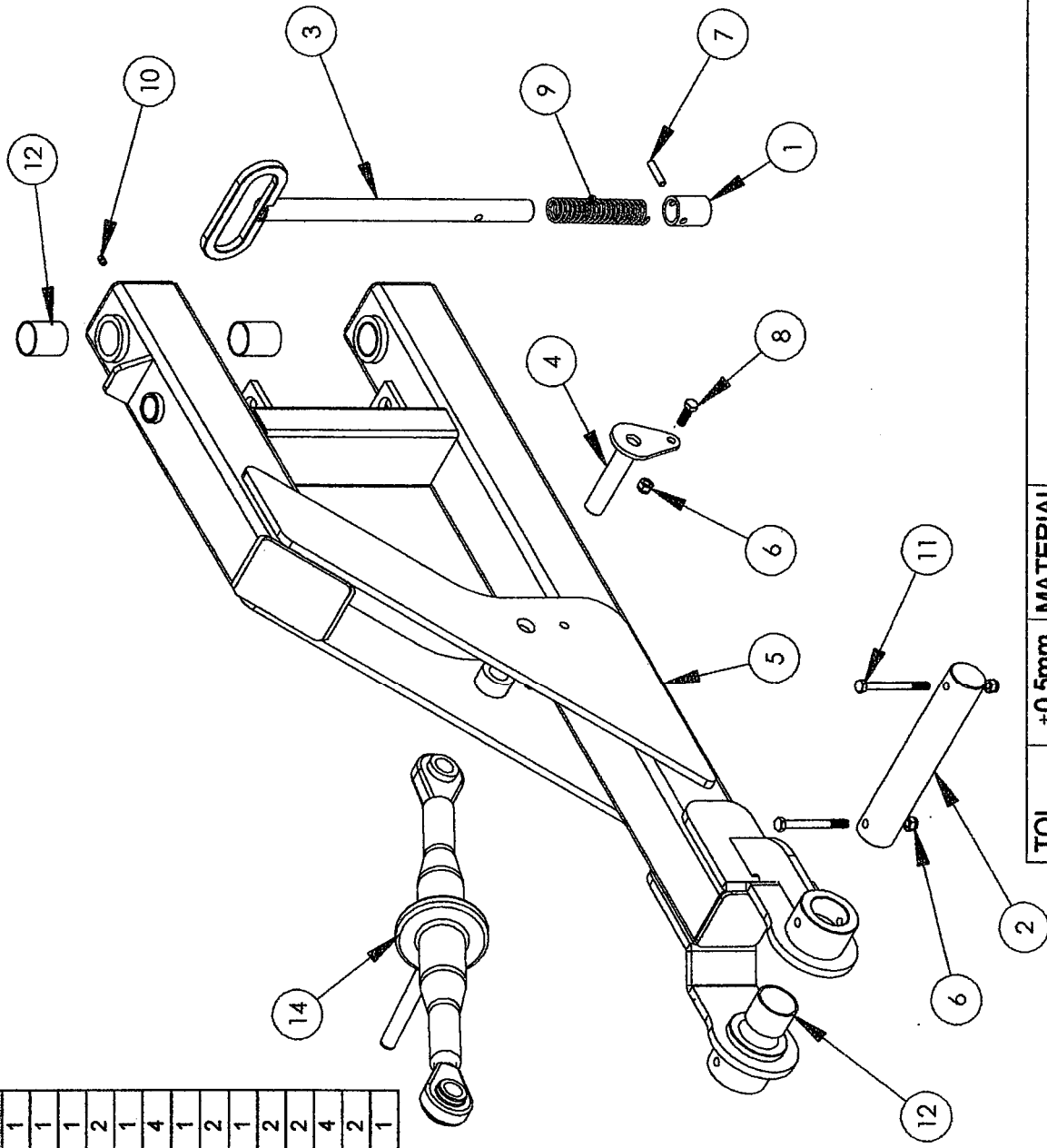
# MAIN FRAME ASSEMBLY

Part No.

Browns Agricultural Machinery Company Limited  
 Mentmore Road - Leighton Buzzard  
 Beds. LU7 7NX. Tel:- (01525) 375157



No	Part No	Description	Qty
1	14078	COLLAR	1
2	17116	PIN	1
3	53302	SWING PIN	1
4	53303	SWING PIN	2
5	53304	SWING FRAME	1
6	70011	M10 NYLOCK NUT	4
7	70461	ROLL PIN	1
8	70911	M10x35 BOLT	2
9	71030	SPRING	1
10	71055	GREASE NIPPLE	2
11	71259	M10x100 BOLT	2
12	71675	MB4050 BUSH	4
13	71875	MB5040 BUSH	2
14	71876	TOP LINK	1



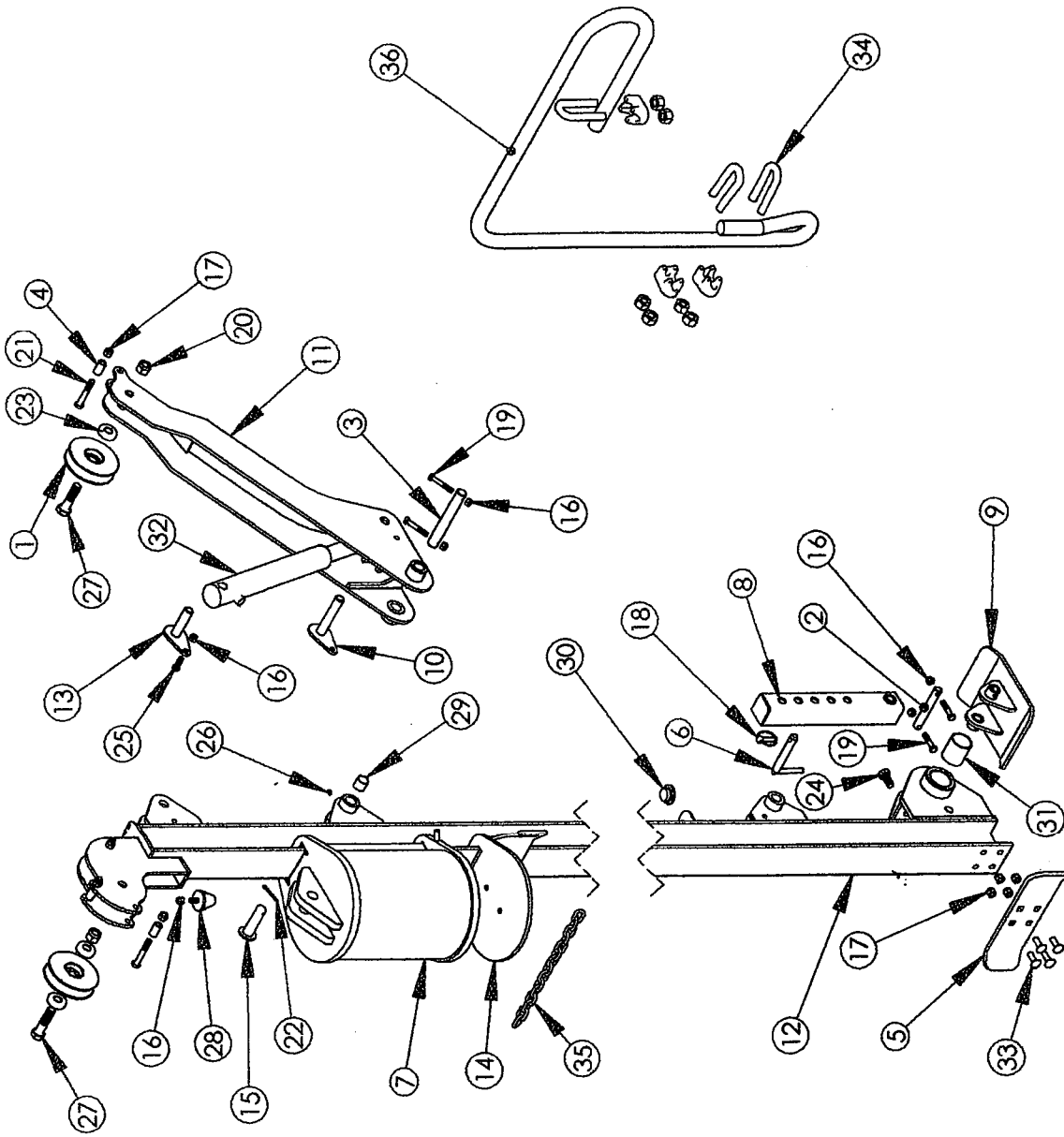
TOL.	±0.5mm	MATERIAL
SCALE	1:1	TITLE
ISSUE	1	
DATE	5/13/2004	
DRAWN	D.Hanson	

# SWING FRAME ASSEMBLY



Part No.  
 Browns Agricultural Machinery Company Limited  
 Mentmore Road - Linslade - Leighton Buzzard  
 Beds. LU7 7NX. Tel:- (01525) 375157

No	Part No.	Description	Qty
1	17051	PULLEY	2
2	17139	MAST FOOT PIN	1
3	17141	PENDULUM PIN	1
4	17163	ROPE GUIDE	4
5	17164	MAST GUIDE	1
6	51684	CAT 1 PIN	1
7	53299	HAMMER	1
8	53311	MAST LEG	1
9	53312	MAST FOOT PIN	1
10	53313	PENDULUM PIN	1
11	53314	PENDULUM PIN	1
12	53315	HAMMER MAST	1
13	53317	SWING PIN	1
14	53318	POST CAP	1
15	53324	HAMMER PIN	1
16	70011	M10 NYLOCK NUT	7
17	70012	M12 NYLOCK NUT	8
18	70033	LINCH PIN	1
19	70145	M10x65 BOLT	2
20	70412	M20 NYLOCK NUT	2
21	70437	M12x90 BOLT	4
22	70540	COTTER PIN	1
23	70666	BEARING	4
24	70871	M16x30 SETSCREW	2
25	70911	M10x35 BOLT	2
26	71055	GREASE NIPPLE	1
27	71252	M20x80 BOLT	2
28	71741	RUBBER STOP	1
29	71744	MB2525 BUSH	2
30	71872	BUBBLE LEVEL	1
31	71874	MB5060 BUSH	2
32	71877	RAM	1
33	71882	M12x35 CUP BOLT	4
34	71885	ROPE GRIP	3
35	71887	POST CHAIN	1
36	71888	ROPE	1



TOL. ±0.5mm

**MATERIAL**

SCALE 1:1

**TITLE**

ISSUE 1

**MATERIAL**

DATE 5/14/2004

**MATERIAL**

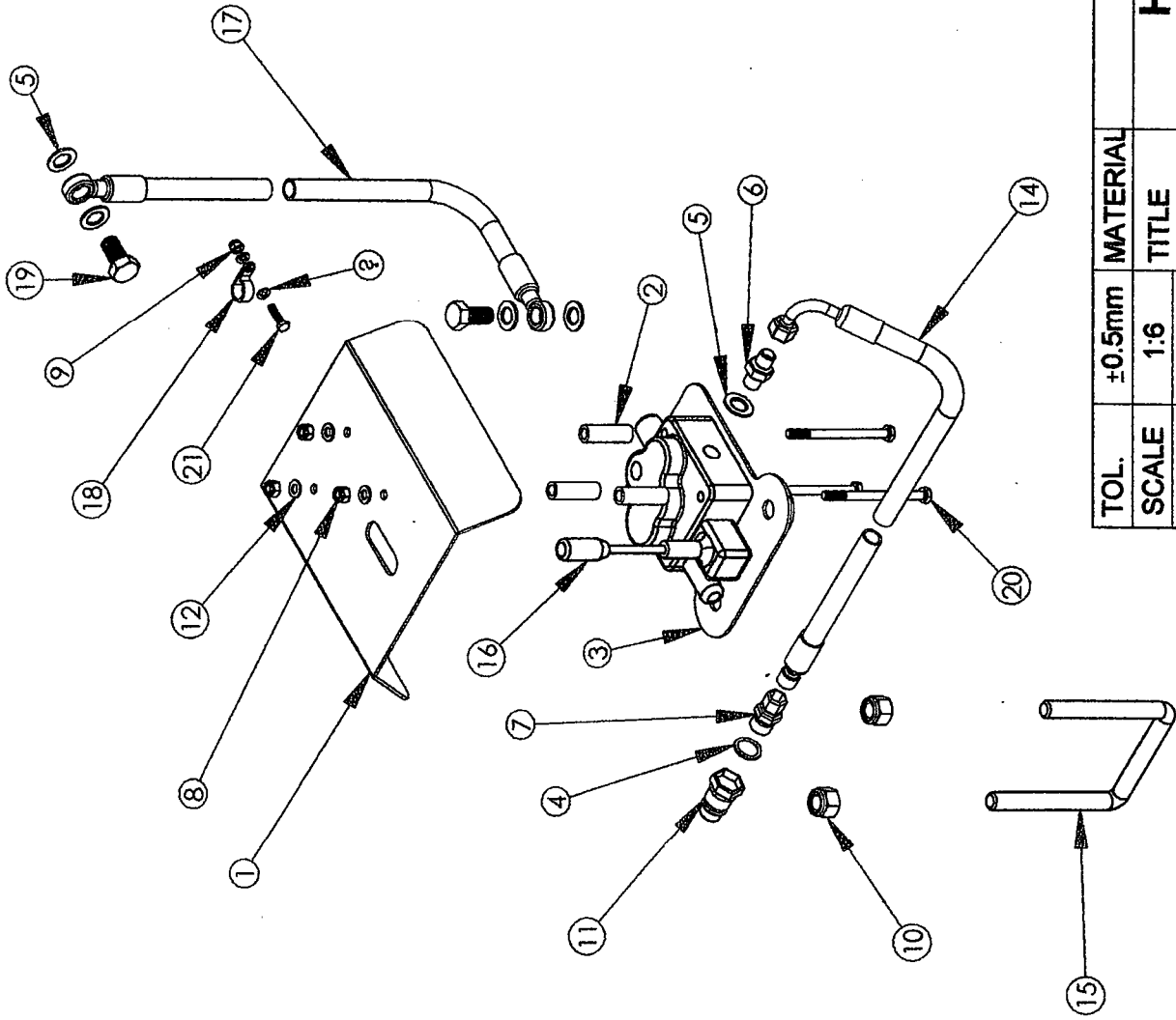
DRAWN D.Hanson

**MATERIAL**



**Part No.**  
 Browns Agricultural Machinery Company Limited  
 Mentmore Road - Leighton Buzzard  
 Beds. LU7 7NX Tel:-(01525) 375157

**MATERIAL**



No.	Part No.	Description	Qty.
1	17170	VALVE COVER	1
2	17177	VALVE SPACER	3
3	53321	VALVE BRACKET	1
4	70121	DOWTY SEAL 1/2	2
5	70122	DOWTY SEAL 3/8	6
6	70124	ADAPTOR	2
7	70126	ADAPTOR	2
8	70238	M8 NYLOCK NUT	3
9	70322	M6 NYLOCK NUT	3
10	70342	M16 NYLOCK NUT	2
11	70364	Q/R PROBE 1/2	2
12	70438	M8 WASHER	3
13	70682	M6 WASHER	6
14	71361	HOSE 2m	2
15	71654	M16 U BOLT	1
16	71880	VALVE	1
17	71881	HOSE	1
18	71888	PIPE CLIP	3
19	71890	BANJO BOLT 3/8	2
20	71891	M8x110 BOLT	3
21	71892	M6x25 SETSCREW	3

TOL.	±0.5mm	MATERIAL
SCALE	1:6	TITLE
ISSUE	1	
DATE	5/17/2004	
DRAWN	D.Hanson	

# HYDRAULICS ASSEMBLY

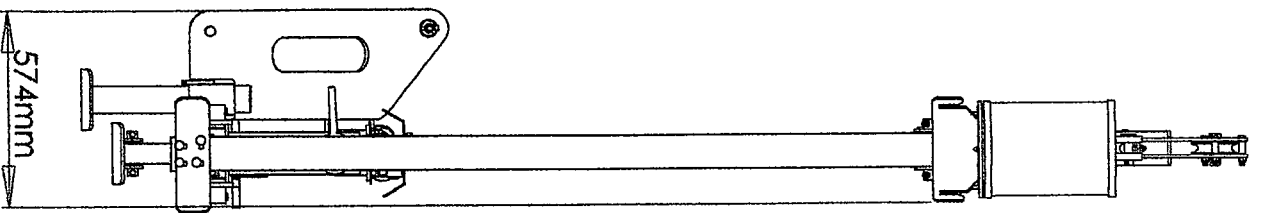
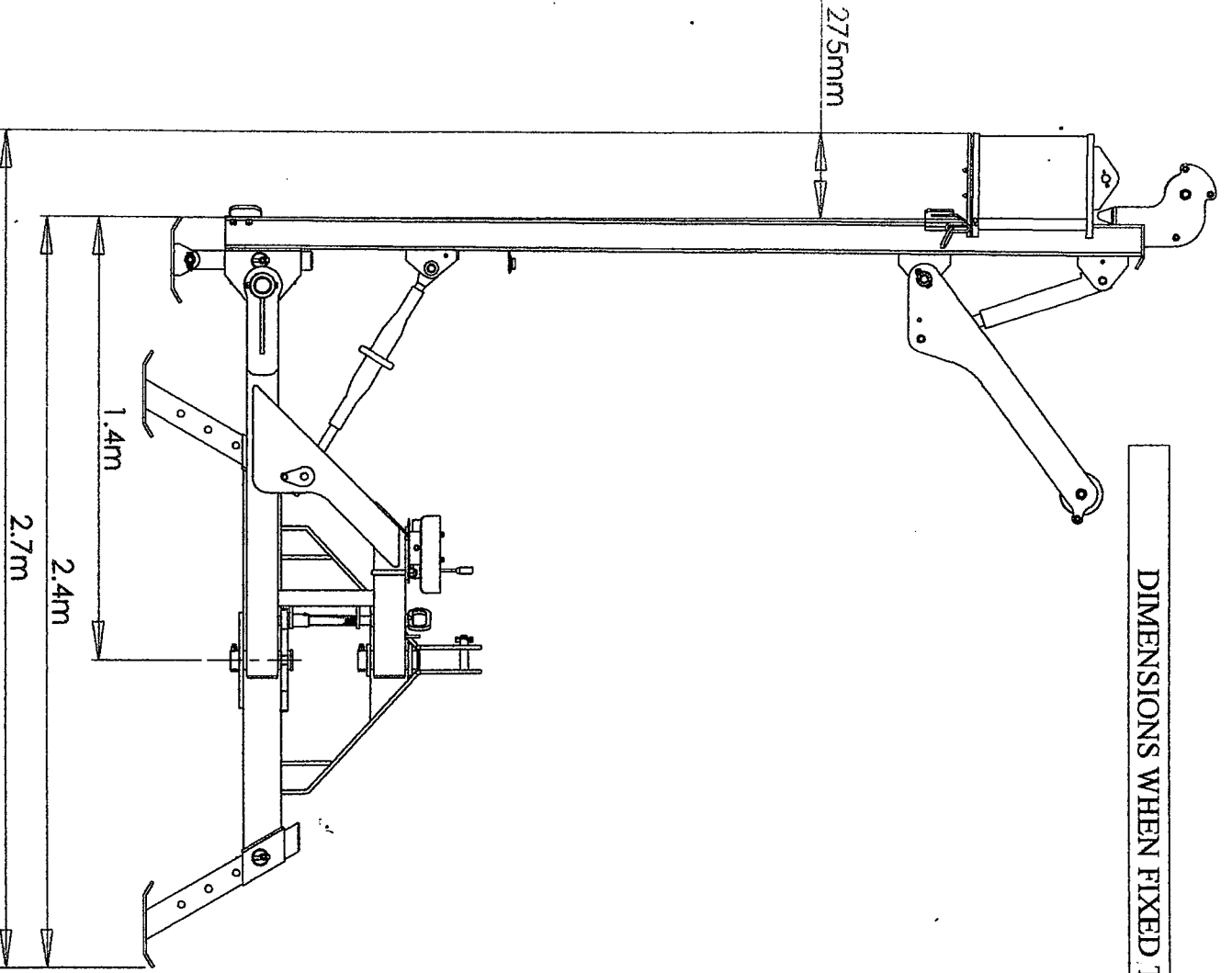
Part No.

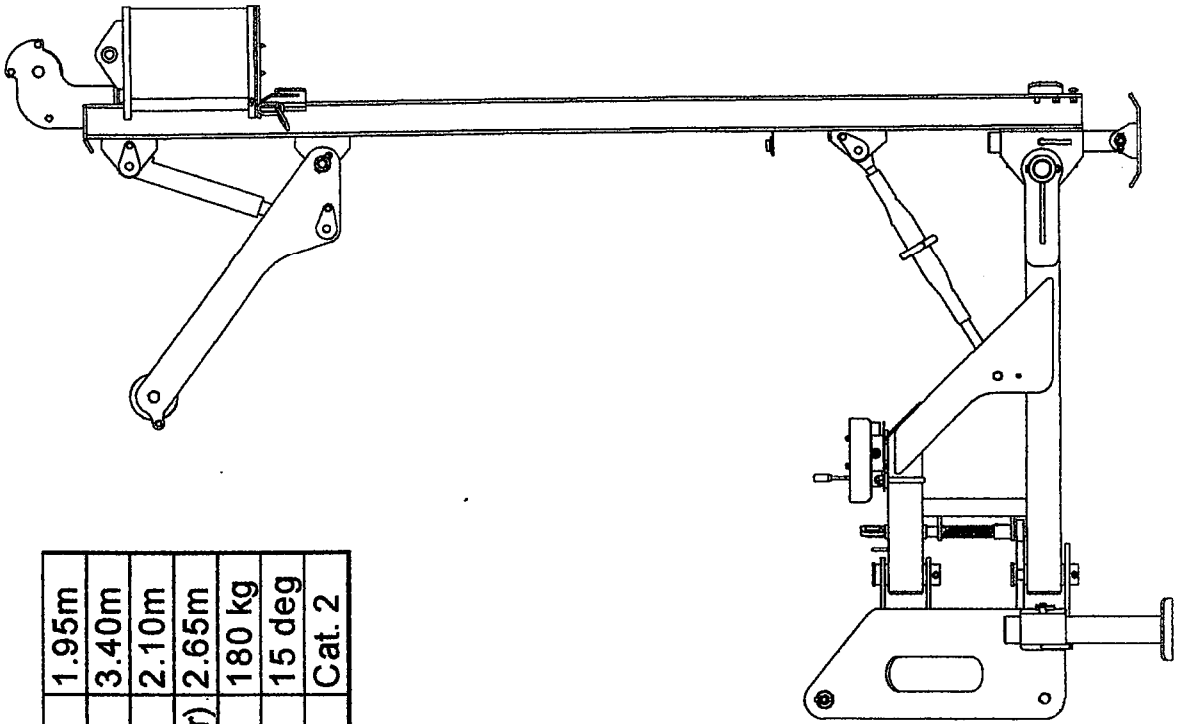
Browns Agricultural Machinery Company Limited  
 Mentmore Road - Leighton Buzzard  
 Beds. LU7 7NX. Tel: (01525) 375157



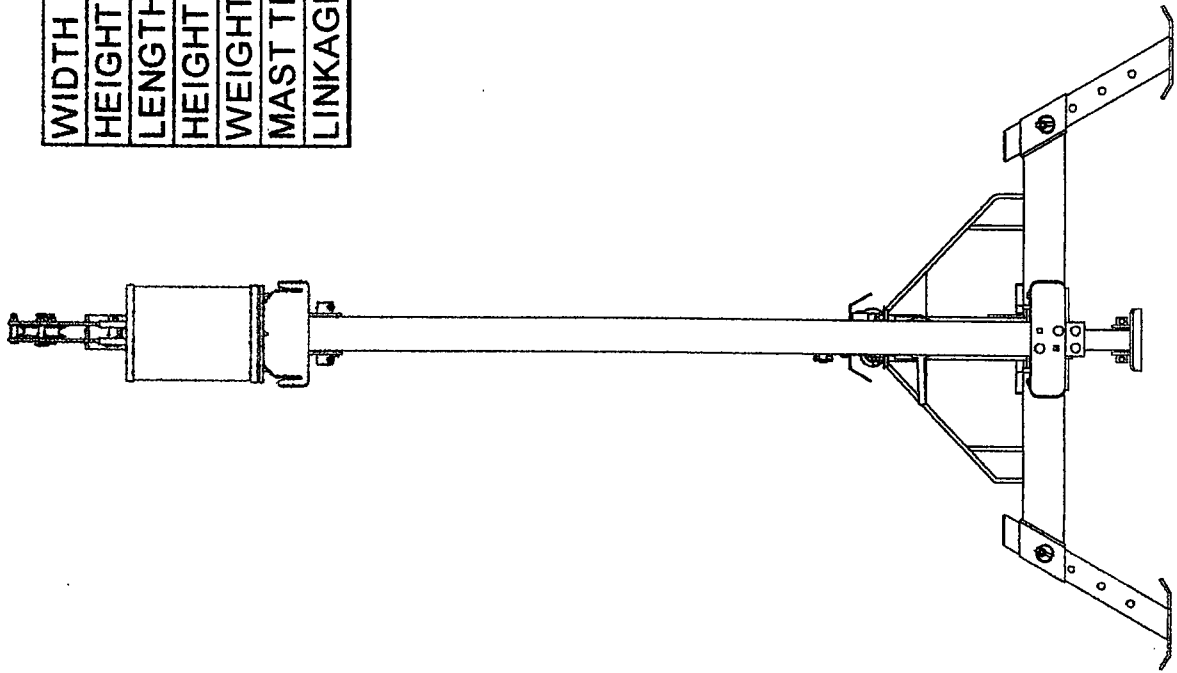


DIMENSIONS WHEN FIXED TO THE SIDE POSITION





WIDTH	1.95m
HEIGHT	3.40m
LENGTH	2.10m
HEIGHT (under hammer)	2.65m
WEIGHT (hammer)	180 kg
MAST TILT	15 deg
LINKAGE	Cat. 2





## **EC DECLARATION OF CONFORMITY**

Manufacturer : Browns Agricultural Machinery Co. Ltd.  
Description of Machinery : Posthammer Giraffe Manual Swinground  
Model Number : 65886

**This machine complies with EC Directives, Transposed Harmonised Standards, National Standards and Technical Specifications as follows:**

89/392/EEC 91/386/EEC 93/44/EEC 93/68/EEC EN 292 pr EN 691

**The machinery has been designed taking into account the essential Health & Safety Standards as detailed in the Supply of Machinery (Safety Regulations) 1992.**

**For and on behalf of the Manufacturer**

Name : J. W. G. BROWN  
Status : MANAGING DIRECTOR

**The above machinery taking into account the state of art, complies with or is designed and constructed so far as possible, to comply with the relevant Health & Safety requirements as indicated in the Technical file.**

**THE COMPANY IS CONTINUALLY STRIVING TO IMPROVE ITS PRODUCTS AND RESERVES THE RIGHT TO MAKE IMPROVEMENTS OR CHANGES WITHOUT INCURRING ANY OBLIGATION TO ALTER ANY OF ITS MACHINES PREVIOUSLY SOLD.**